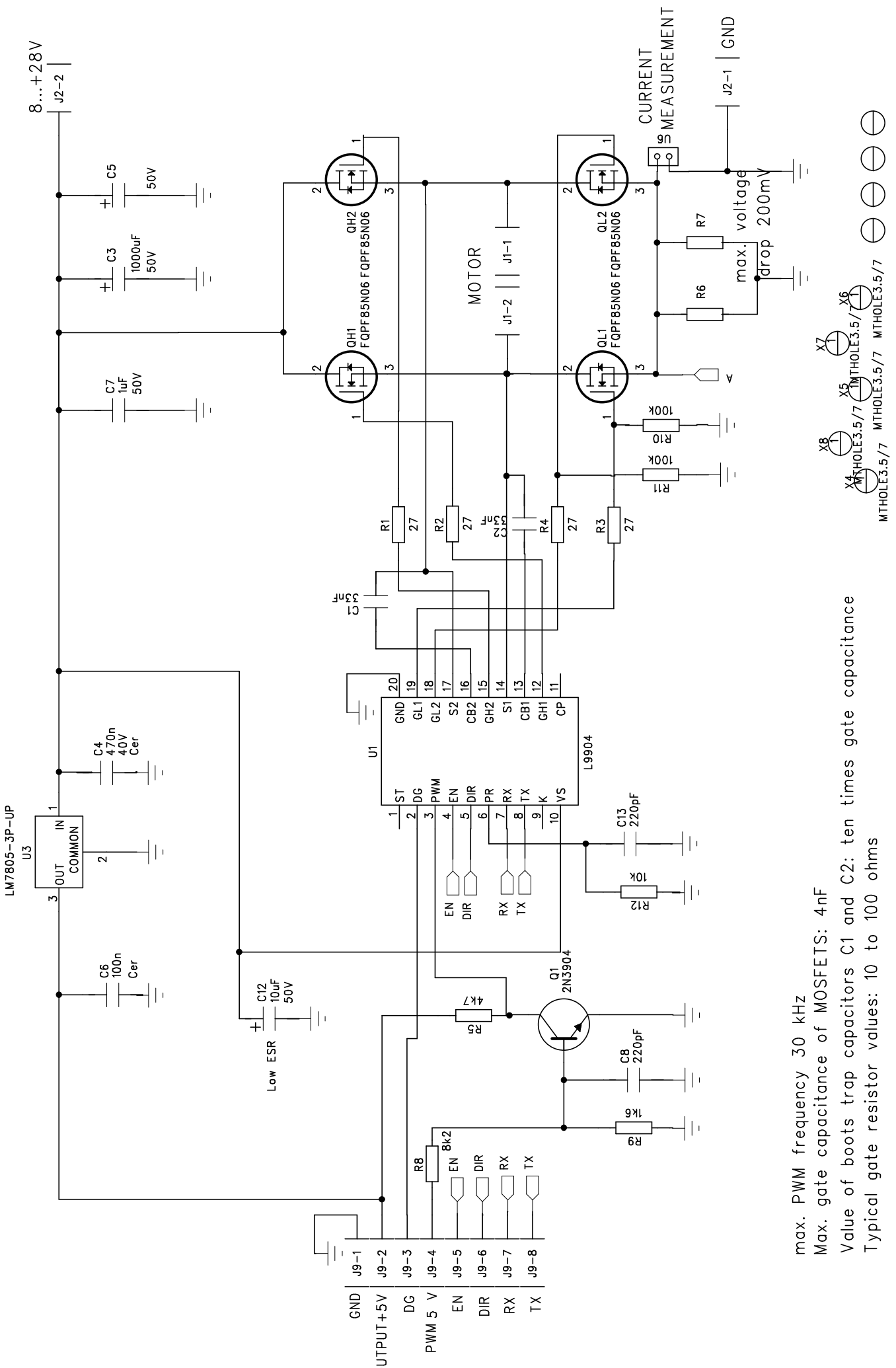


# H-BRIDGE INCLUDING DRIVER



max. PWM frequency 30 kHz  
 Max. gate capacitance of MOSFETS: 4nF  
 Value of boots trap capacitors C1 and C2: ten times gate capacitance  
 Typical gate resistor values: 10 to 100 ohms

